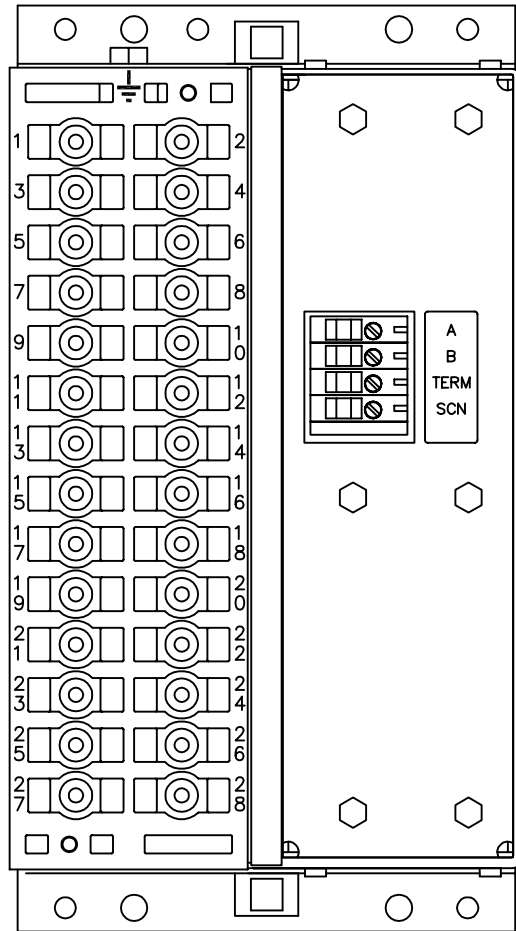
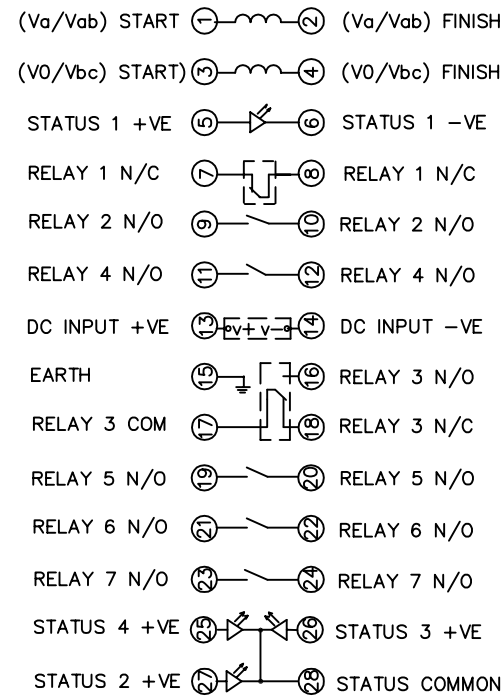


IF IN DOUBT ASK
DO NOT SCALE



BOX VIEWED FROM REAR



NOTES

1 TERMINALS RECOMMENDED ARE PRE INSULATED & MUST BE CRIMPED USING APPROVED TOOLING. AMP PIDG OR PLASTI GRIP FUNNEL ENTRY (RING TONGUE) FOR M4 FIXING STUD.

SUPPLIER	AMP	CABLE SIZE
AMP	342103	0.25-1.6 SQ MM
AMP	342143	1.0-2.6 SQ MM.

OR ANY OTHER MANUFACTURERS EQUIVALENT TERMINAL.

2 FOR OUTLINE & DRILLING DRG SEE 2995X10004 (A4).

OUTER TERMINAL BLOCK ASSY: -
VIEW BLOCK FROM THE INSIDE FACE
ASSEMBLY INSTRUCTIONS: -

TYPICAL ASSEMBLY DRAWING 2995G10029
AT INDICATED POSITIONS FIT AS FOLLOWS,
S - FIT STANDARD CONTACT
2995B10051
HC - FIT 'HEAVY CURRENT' KIT
2995G10030
WHERE -o-o- IS SHOWN FIT
CT SHORTING KIT 2995G10031
POSITIONS SHOWN BLANK ARE UNUSED
ALL POSITIONS FIT SCREW 2101F12506

2	S	S	1
4	S	S	3
6	S	S	5
8	-o-o-		7
10	S	S	9
12	S	S	11
14	S	S	13
16	S	S	15
18	-o-o-		17
20	S	S	19
22	S	S	21
24	S	S	23
26	S	S	25
28	S	S	27

CHASSIS TERMINAL BLOCK ASSY: -
VIEW FROM NUMBERED SIDE OF BLOCK

ASSEMBLY INSTRUCTIONS: -
TYPICAL ASSEMBLY DRAWING 2995G10032
AT INDICATED POSITIONS FIT AS FOLLOWS,
T - FIT TRIP ISOLATION CONTACT
2995B10053
S - FIT STANDARD CONTACT
2995B10054
POSITIONS SHOWN BLANK ARE UNUSED

2	S	S	1
4	S	S	3
6	S	S	5
8	T	T	7
10	T	T	9
12	T	T	11
14	S	S	13
16	T	S	15
18	T	T	17
20	T	T	19
22	T	T	21
24	T	T	23
26	S	S	25
28	S	S	27

FOR INFORMATION ONLY
UNCONTROLLED COPY
NOT SUBJECT TO UPDATE

MATERIAL:

Dimensions in millimetres : Surface texture in micrometres.
Machine where marked ✓
For explanation of dimensions, tolerances, notes etc. see B.S.308.
Limit on untoleranced unmachined dimensions ± _____
Limits on untoleranced machined dimensions to B.S.4500;
i.e. up to 6±0.1; over 30 to 120±0.3; over 315±0.8;
over 6 to 30±0.2; over 120 to 315±0.5;
General unmachined angular tolerance ± _____

Finish: _____
Treatment: _____

Title:
TERMINAL IDENTIFICATION & RELAY WIRING DIAGRAM
UNDER/OVER VOLT RELAY ARGUS 8 (E4 CASE) RS485 COMS.
**Reyrolle Protection
Hebburn.**

First used on: _____
Similar Articles: _____
Supersedes: _____
Original Scale: NTS
Drg. No. **2422W50006**

Copyright © 2005 Reyrolle Ltd.

1	04/07/05	CHANGE NOTED	△
ISSUE	DATE	NOTED	

DRAWN RDW	CHECKED RDW	APPROVED R.D.WATSON	DATE 04/07/05	IE	OPS	PCP	Purch.Spec. TQ	EAC	CE	STD	A3
-----------	-------------	---------------------	---------------	----	-----	-----	----------------	-----	----	-----	----